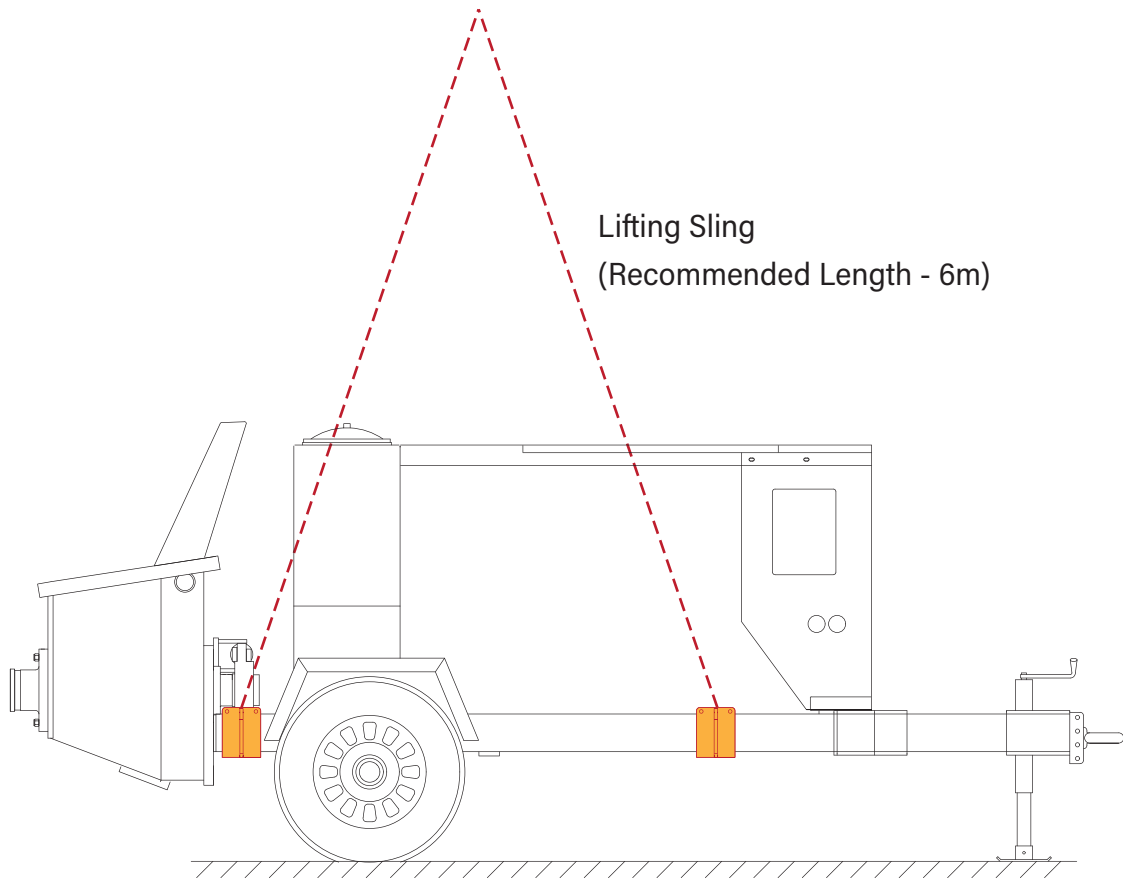
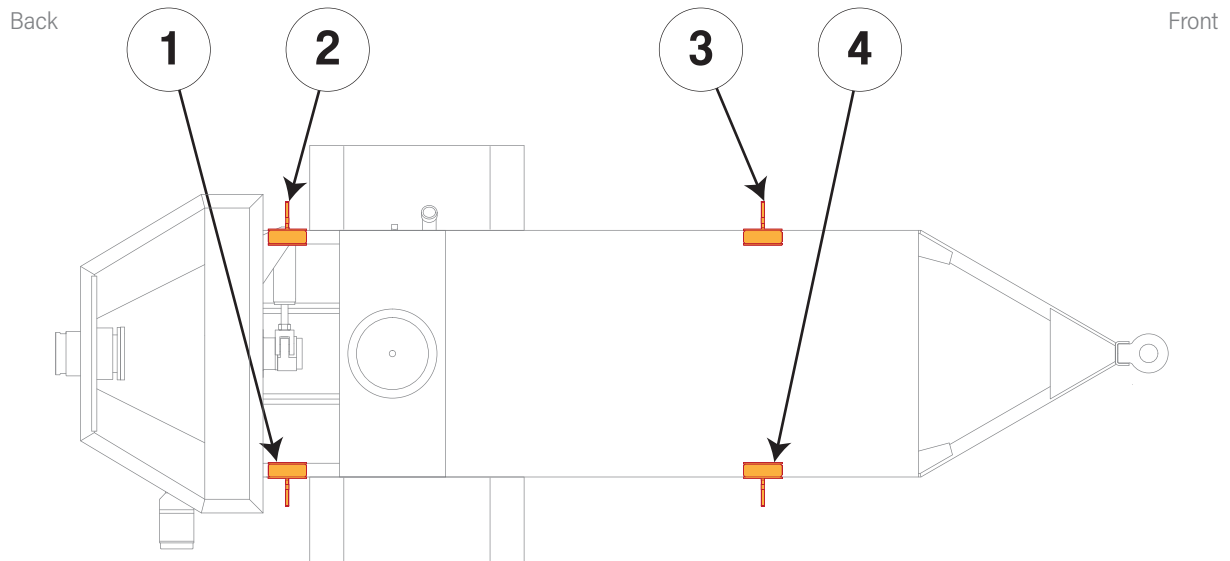
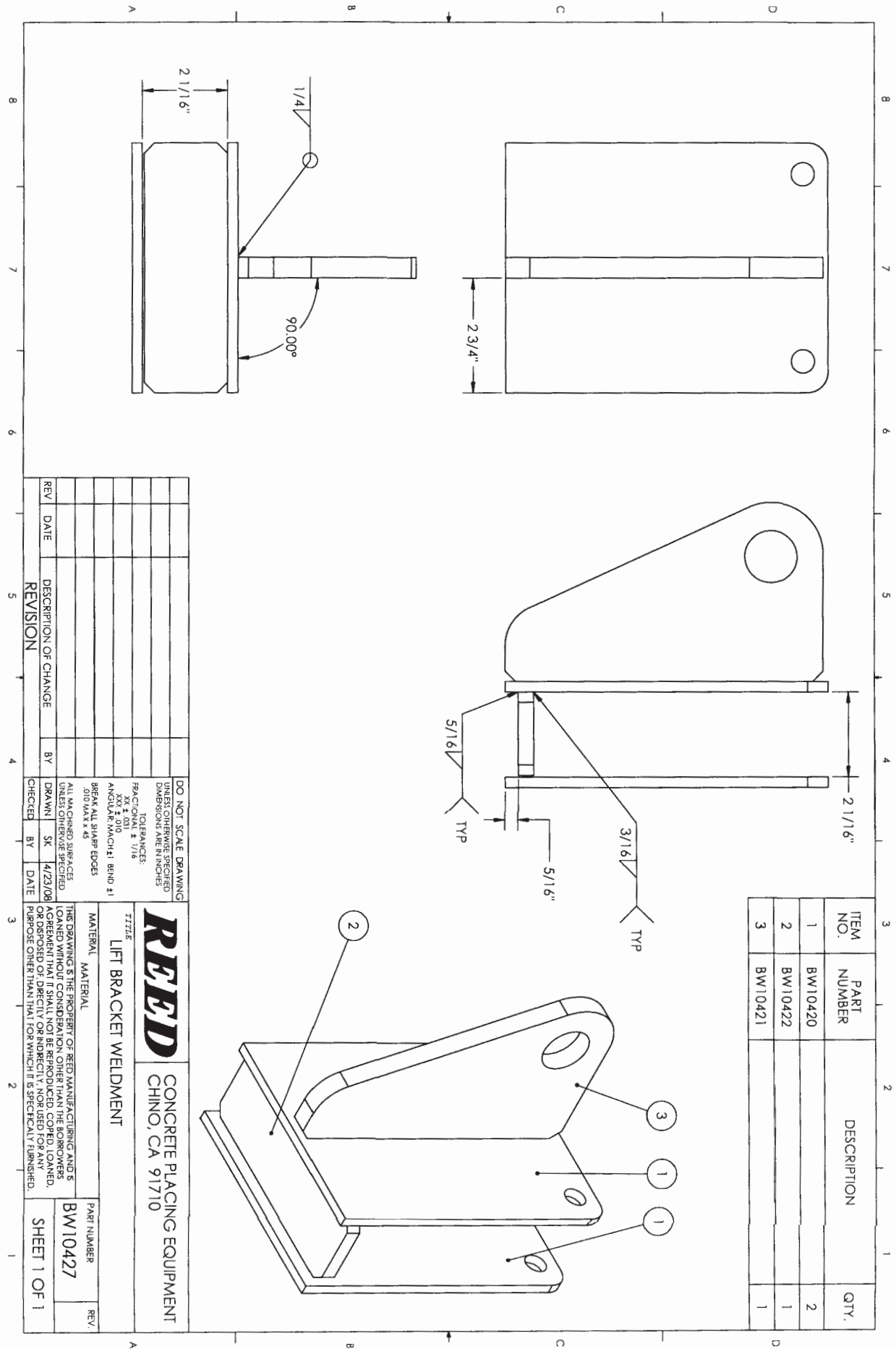


REED

REED A40HP Lifting Points & Placement

Lifting Point (Front/Rear)

Lifting Point Placement (Top/Side)



REV	DATE	DESCRIPTION OF CHANGE	BY	CHECKED	BY	DATE
		REVISION				

DO NOT SCALE DRAWING
 UNLESS OTHERWISE SPECIFIED
 DIMENSIONS ARE IN INCHES

TOLERANCES:
 FRACTIONAL ± 1/16
 DECIMAL .010
 ANGULAR MACH ±1 BEND ±1
 BREAK ALL SHARP EDGES
 .010 MAX X 45

ALL MACHINED SURFACES
 UNLESS OTHERWISE SPECIFIED

THE DRAWING & THE PROPERTY OF REED MANUFACTURING AND IS
 LOANED WITHOUT CONSIDERATION OTHER THAN THE BORROWERS
 AGREEMENT THAT IT SHALL NOT BE REPRODUCED, COPIED, LOANED,
 OR DISPOSED OF, DIRECTLY OR INDIRECTLY, NOR USED FOR ANY
 PURPOSE OTHER THAN THAT FOR WHICH IT IS SPECIFICALLY FURNISHED.

REED
 CONCRETE PLACING EQUIPMENT
 CHINO, CA 91710

PART NUMBER
BW10427

SHEET 1 OF 1