

MAI MULTIMIX - 3D

Setting A New Standard For 3D-Printed Concrete Structure

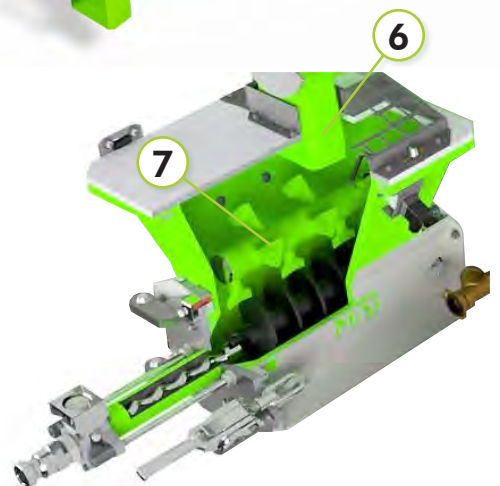
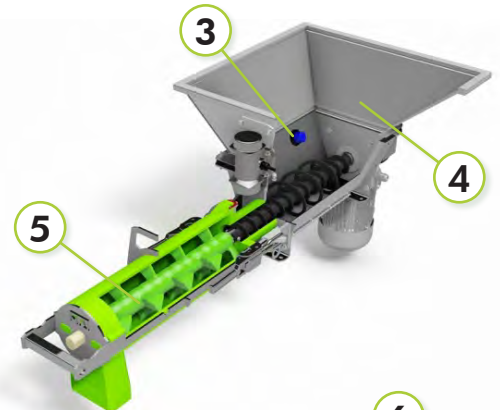
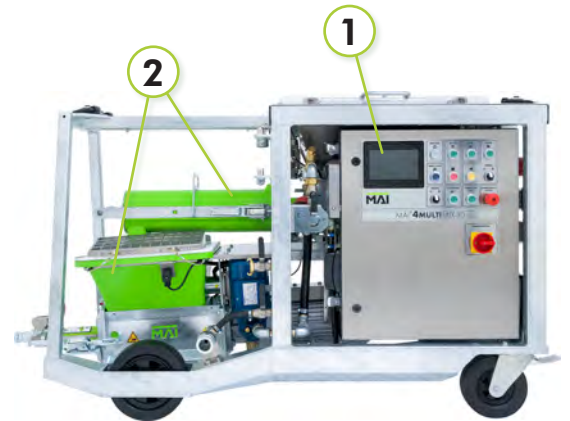


MAI MULTIMIX - 3D

- Premium Mixing & Pumping Consistency
- Modular & Customisable
- Easy to Clean & Maintain
- Built to Last



- 1 Multifunction-display** shows flow rate, water setting, operating condition, errors, with selection for variable pressure control and more.
- 2 Independent mixing and pumping unit** allows consistent mixing speed with variable flow rate, reducing quality fluctuation.
- 3 Self-Stabilising Closed-Loop Water Control System** prevents dry-run, extending the mixer and pump's lifespan.
- 4 Stainless steel hopper** guarantees high durability and corrosion protection.
- 5 MAI-patented Mixing Device** ensures homogeneous mixing result, customisable to fit any material's specification.
- 6 MAI Codur** high wear-resistant plastic makes all the components in the wet zone easy to clean and maintain.
- 7 Agitator in pump hopper** prevents stiffening, material segregation and promotes material flowability.



TECHNICAL SPECIFICATION

Operating Voltage	: 400V / 3 / PE / N / 50Hz
Rated Power	: 10 kW
Fuse	: 32 A
Flowrate	: 5 - 50 L/min (Default Config)
Dimension	: 201 cm x 75 cm x 103 cm
Feeding Height	: 103 cm
Weight	: 360 kg



ACME EQUIPMENT
11 Buroh Street, 627550 Singapore
+65 6862 2332 · info@acme.com.sg

www.acme.com.sg | [AcmeEquipment](#) @ Facebook · Youtube · Instagram

