

REED

A40HP-E

Trailer Mounted Electric Concrete Pump



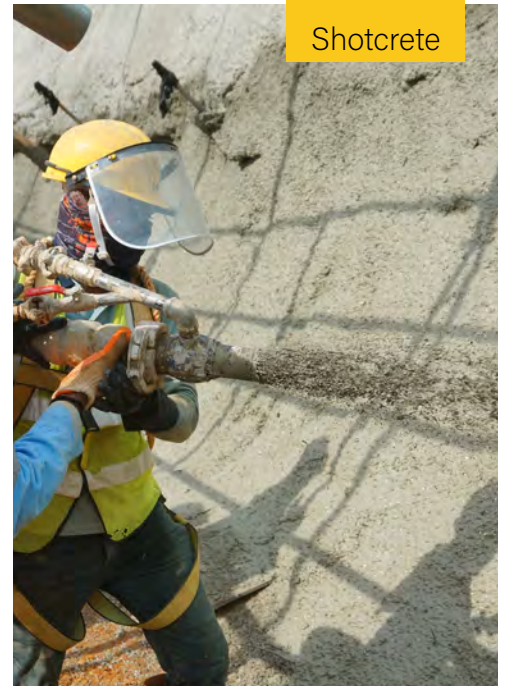
Concrete



Grouting



Shotcrete





Outstanding long term value for money, reliability, ease of use, durability and pumping power.

Premium pump in its class, built with the same leading edge engineering as REED's top-of-the-line pumps. The Rockmaster delivers outstanding long term value for the money for its reliability, ease of use, durability and pumping power, all made in USA.

The Rockmaster is driven by a powerful 50HP (37kW) electrical motor. This best-in-class power is the basis for the pump's versatility. It can be used to pump rough concrete mixes as well as shotcrete.

The Rockmaster features a simple "Open-Loop" hydraulic system and a large fuel tank.



Easy to use Control Panel



5" Large Outlet



Variable Speed Control



Features

- Powerful 50HP (37kW) Electrical Motor
- Handles Concrete & Shotcrete
- Heavy Duty "S" Valve
- Compact & Lightweight
- Chromed Concrete Cylinder
- Easy-Change Polyurethane Piston Cups
- High-Strength Frame Design
- 4 Hydraulic Hose Groups (8 Hoses Total)
- Reverse Control
- Variable Volume Control
- Weatherproof NEMA 4 Control Panel
- Hour Meter

Optional Features

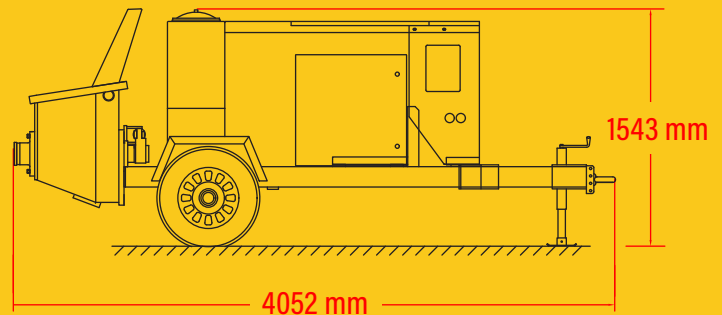
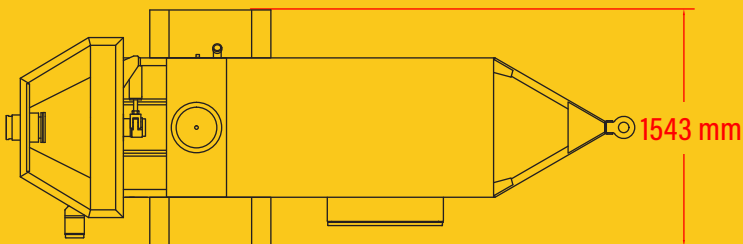
- 75HP (56kW) Motor Upgrade
- Diesel Drive
- Trailer Mounting
- Truck Mounting

A40HP-E Specification

Electrical Motor	50 HP (37 kW)
Output Rate	31 m ³ /hr
Max. Pressure	81 bar
Max Pumping Distance	(H) 297 m (V) 122 m
Max. Aggregate Size	38 mm
Hopper Height	1041 mm
Weight (approx)	2159 kg
Outlet Size	5 inch



4" / 3" / 2" Reducer available for different outlet size requirement



Your Satisfaction is Our Priority.



Since 1981, ACME Equipment has been providing quality concrete and construction equipment throughout the Asia region.

We supply great products as well as excellent after sales services. Including warranties, training, inspection and servicing.

From ensuring that operator can fully utilise the product through training, to reduce down time when products need maintenance, it is our priority that you can enjoy our product to their fullest extent.

Services

- On-Site Training
- On-Site Services
- On-Site Inspection / Diagnosis
- Technicians on Demand
- Ready Stock for Spare Parts
- Swift Servicing Time



Acme Equipment Singapore Head Office

- 11 Buroh Street, 627550 Singapore
- +65 6862 2332 ■ info@acme.com.sg

Acme Equipment Vietnam

- VCCI Building, 9th Floor Room 902, 171, Vo Thi Sau Street, Ward 7, District 3, HoChiMinh City, Vietnam
- +84 8 39326413

Acme Equipment Myanmar

- No. 9/11, Baho Road, San Chaung Township, Yangon, Myanmar
- +95 1 532449